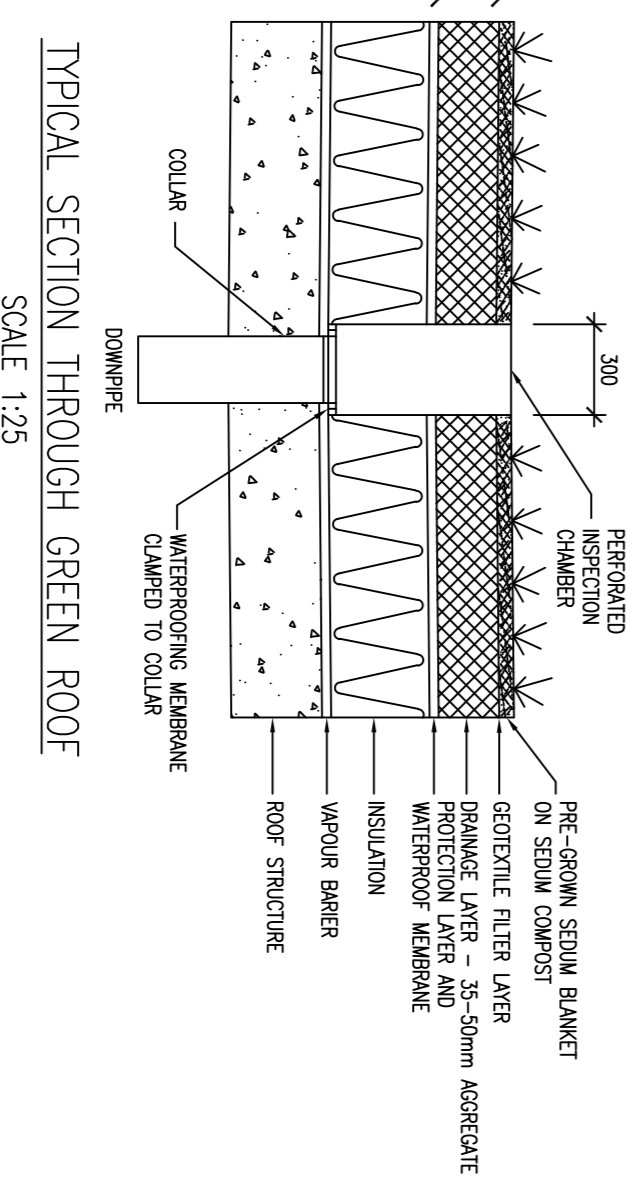
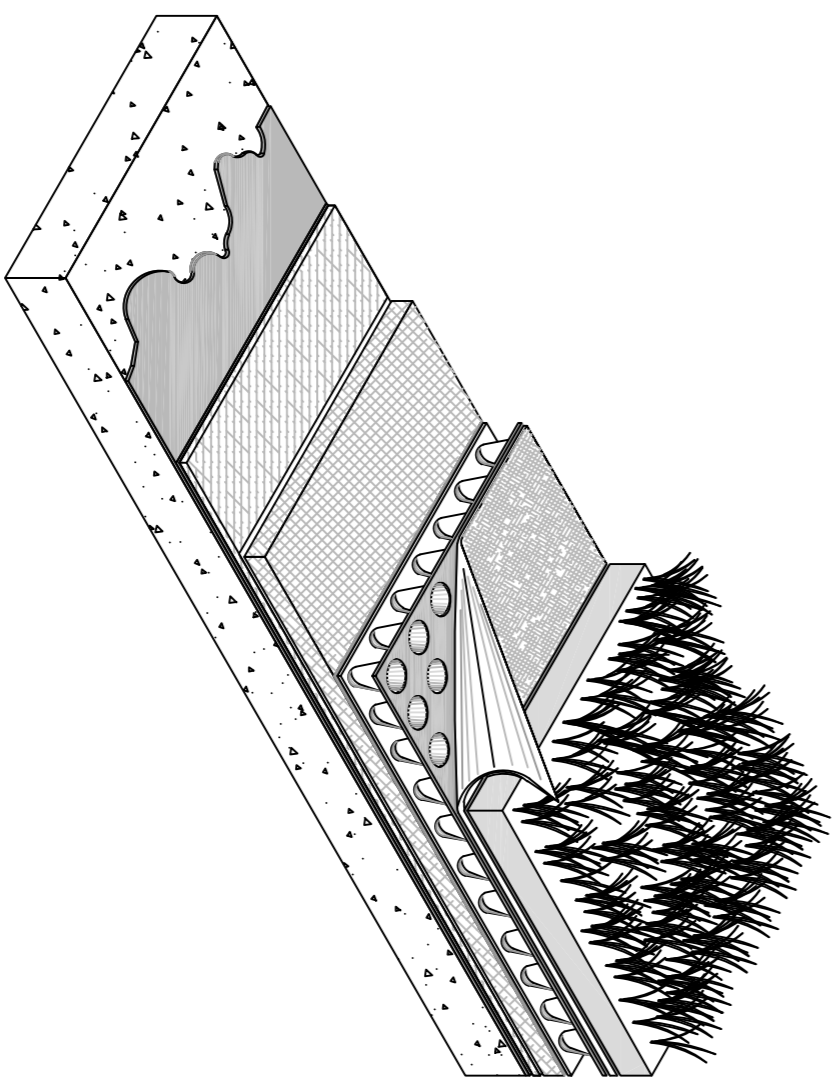
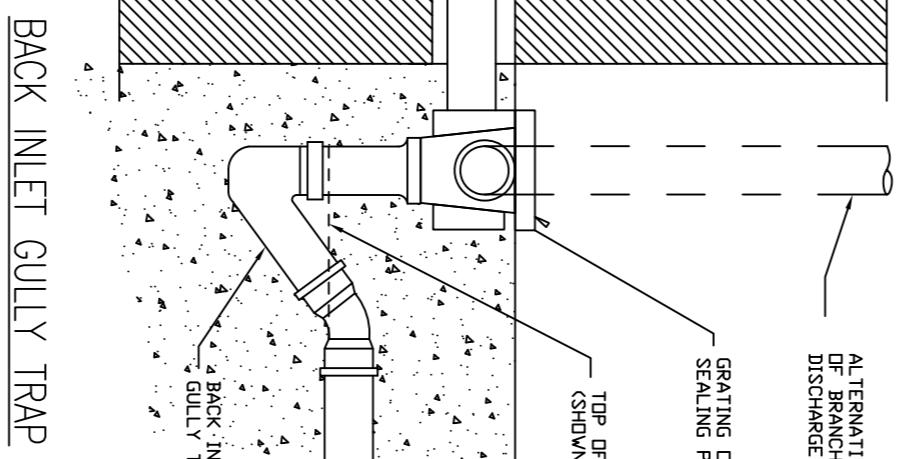
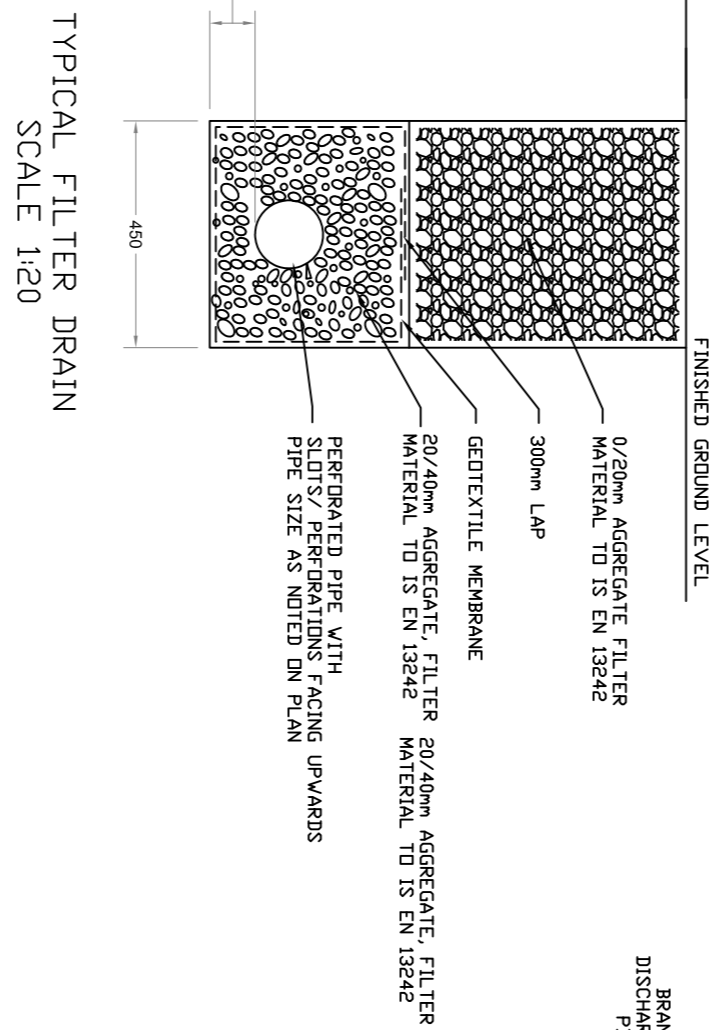
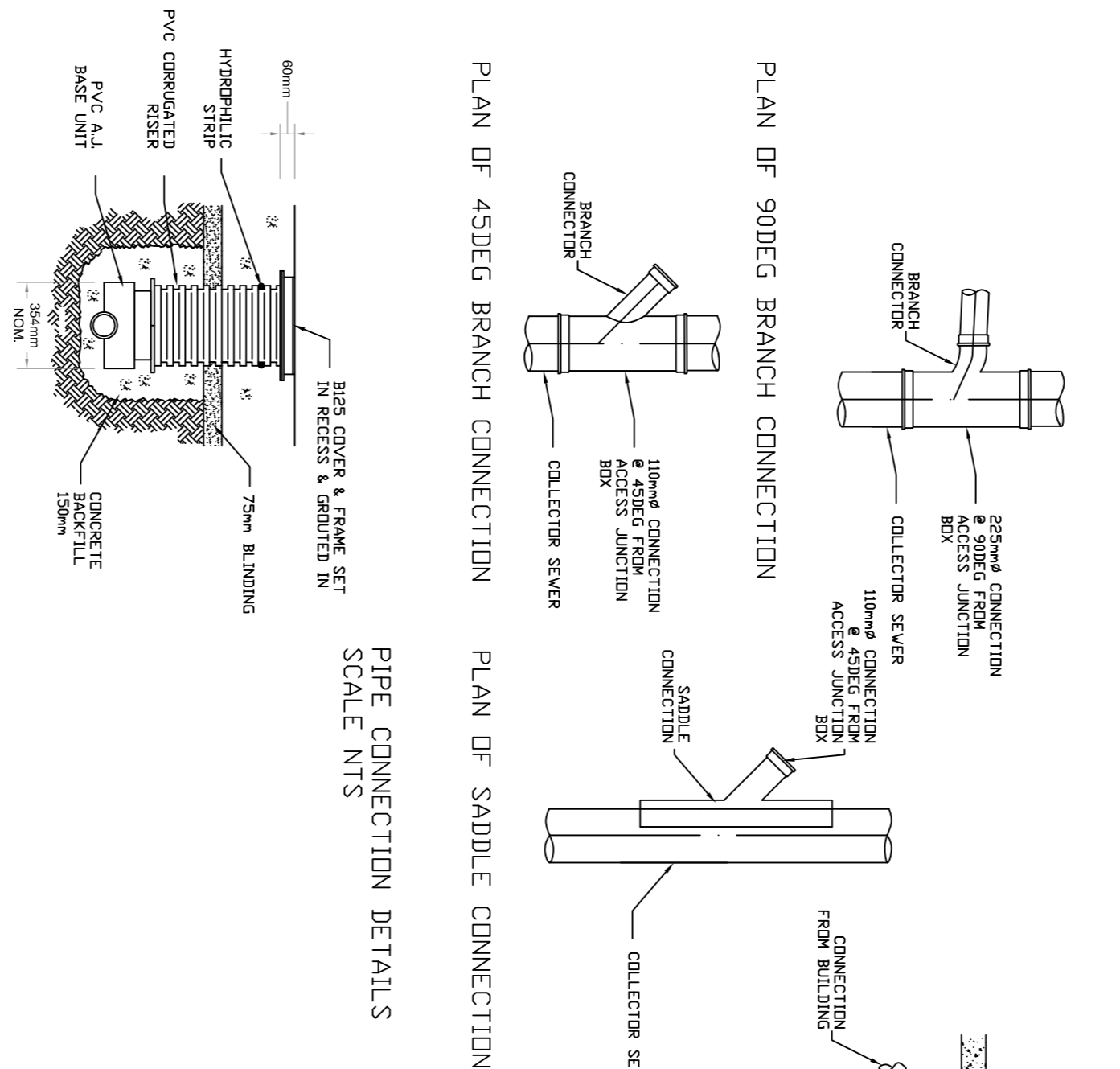
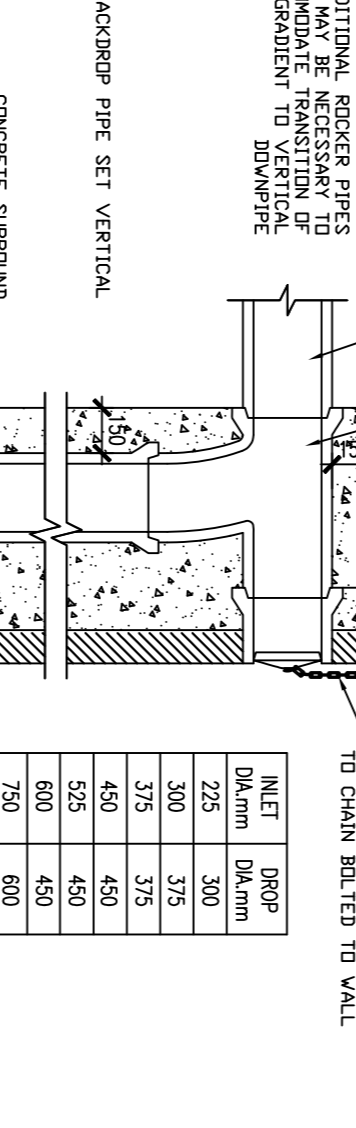


UNIT REF No.	INTERNAL FLOW	LENGTH (mm)	STATE	TD	BASE TO INLET (mm)	BASE TO DUCT (mm)	FALL	ACCESS
MSR002	2	1700	1250	140	1400	1350	100	600
MSR003	3	700	1250	140	1450	1350	100	600
MSR004	4	1700	1250	140	1450	1350	100	600
MSR005	5	1700	1250	140	1450	1350	100	600
MSR006	10	1900	1250	140	1450	1350	100	750
MSR007	15	1900	1250	140	1450	1350	100	750
MSR008	20	1900	1250	140	1450	1350	100	750
MSR009	25	1900	1250	140	1450	1350	100	750
MSR010	30	1900	1250	140	1450	1350	100	750
MSR011	40	1900	1250	140	1450	1350	100	750
MSR012	50	1900	1250	140	1450	1350	100	750
MSR013	60	1900	1250	140	1450	1350	100	750
MSR014	75	1900	1250	140	1450	1350	100	750
MSR015	100	1900	1250	140	1450	1350	100	750
MSR016	125	1900	1250	140	1450	1350	100	750

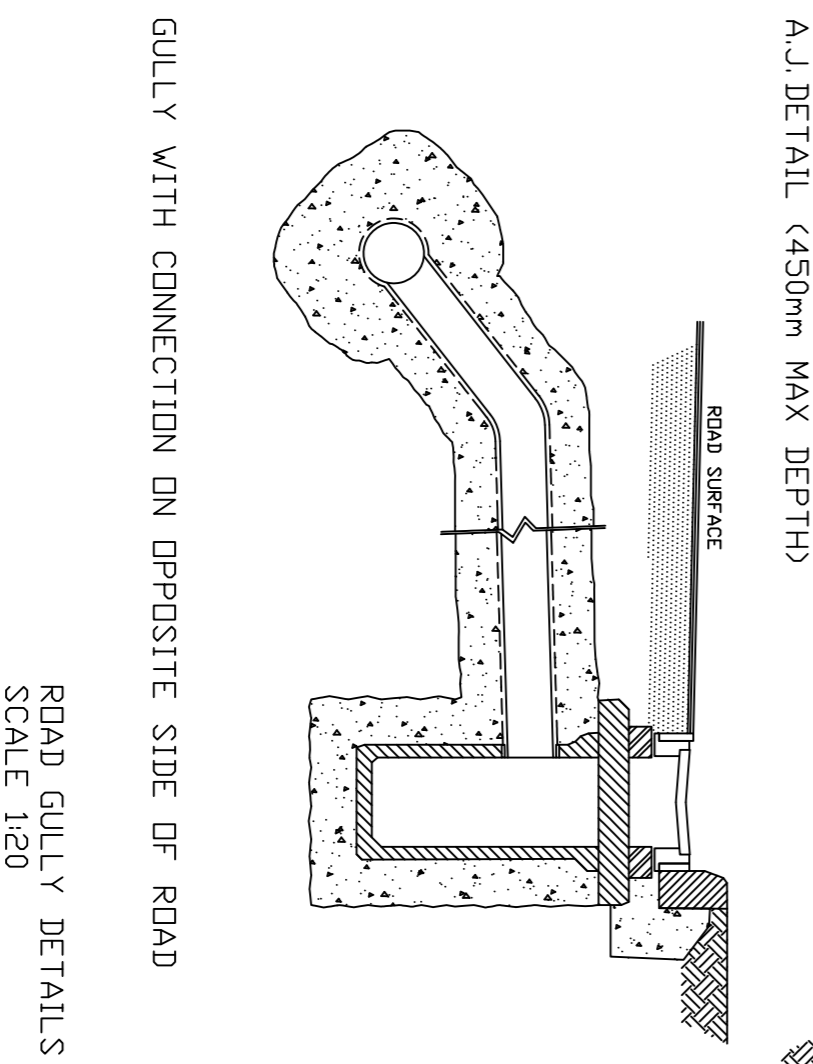
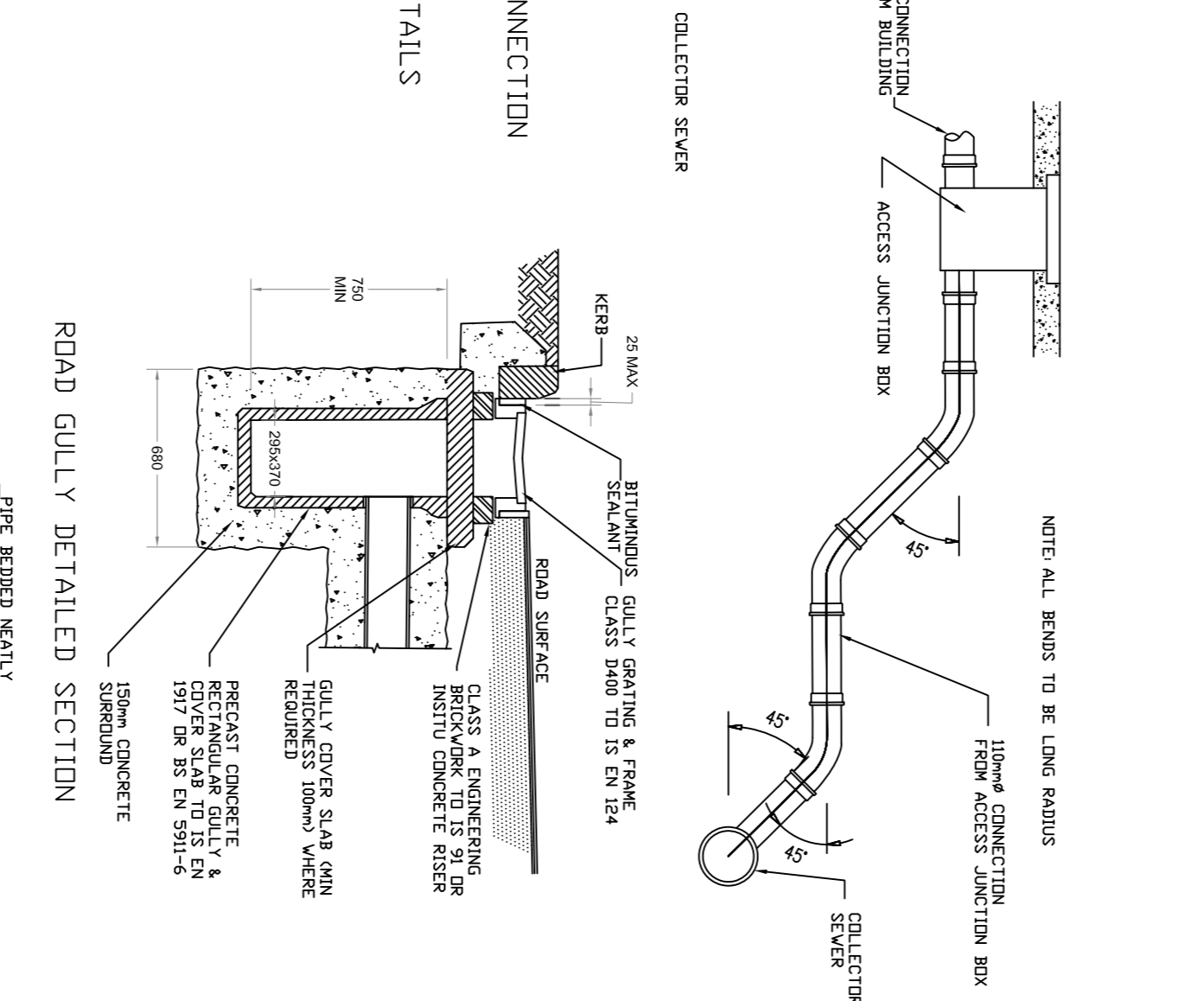
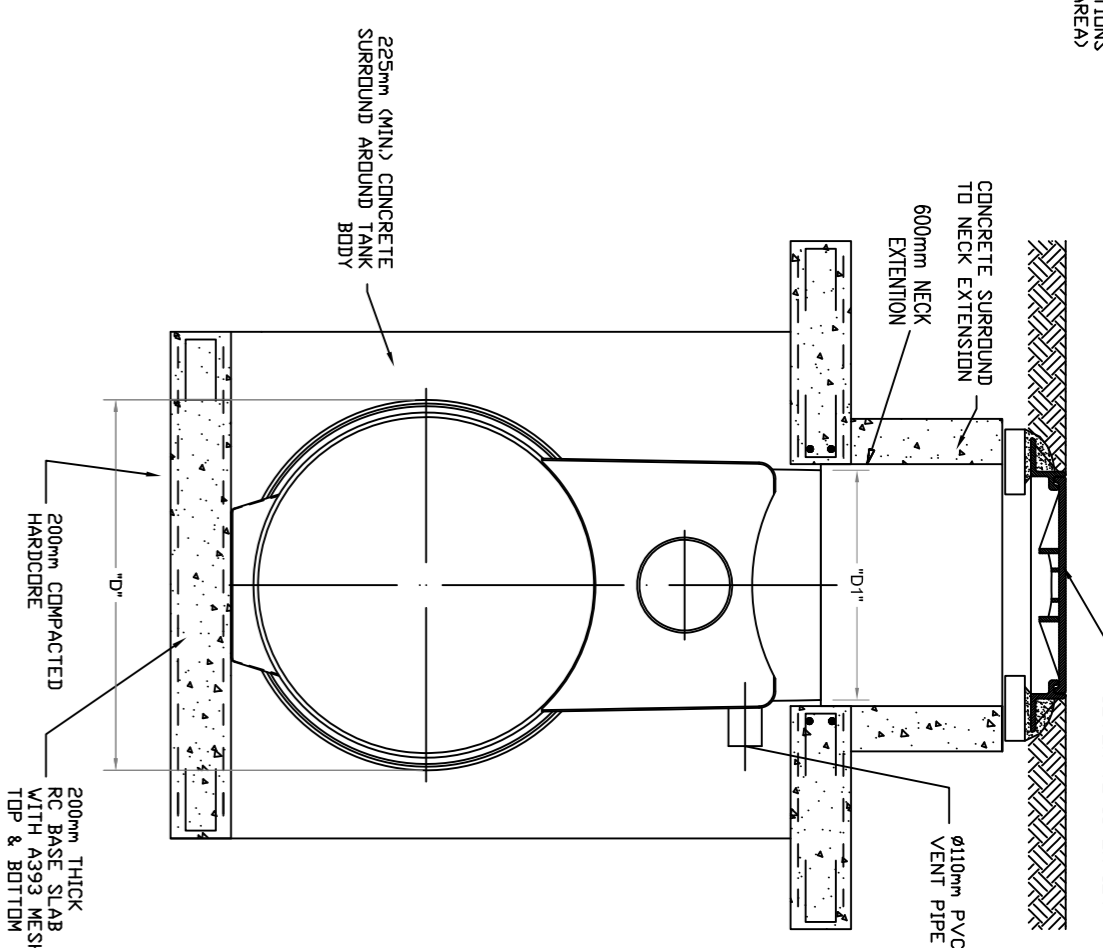
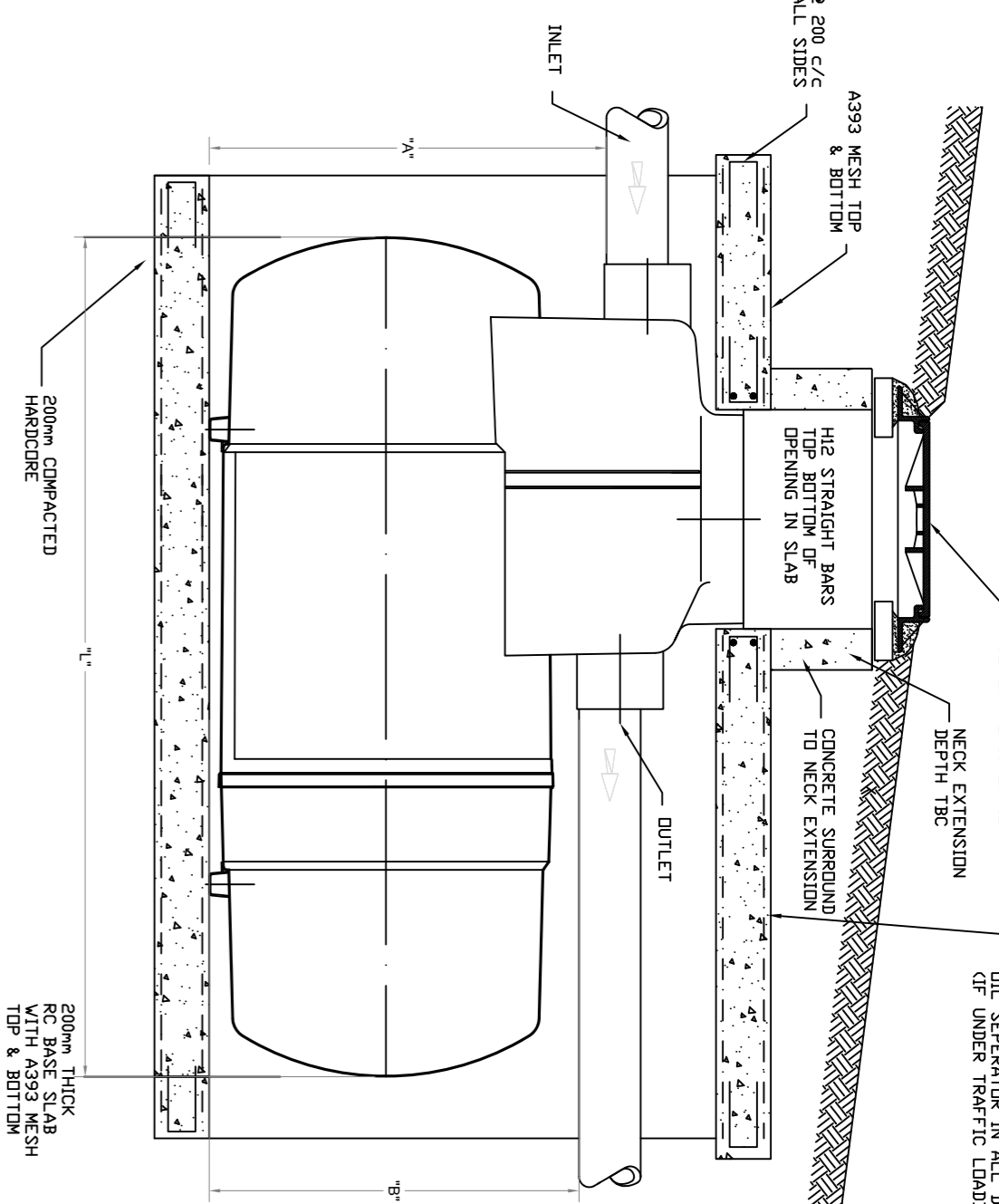
FLOW CONTROL MANHOLE DETAIL
TYPE E MANHOLE IN ACCORDANCE WITH THE
GREATER DUBLIN REGIONAL CODE OF PRACTICE
SCALE 1:20



STANDARD TUMBLING BAY JUNCTION
MIN 2 SHORT ROCKER PIPES
CARE TO BE TAKEN TO MAINTAIN
FLEXIBILITY OF JOINTS
ADDITIONAL ROCKER PIPES
ACCOMMODATE TRANSITION OF
PIPE GRADIENT TO DOWNPIPE



PETROL INTERCEPTOR DETAIL (TYPICAL)
SCALE 1:20



ISSUED FOR
P L A N N I N G

DIMENSIONS

Figured dimensions only to be taken from this drawing.
All dimensions to be checked on site.
Architects to be informed immediately of any discrepancies
before work proceeds.

COPYRIGHT

This drawing and any design hereon is copyright of
JOR Consulting Engineers and must not be reproduced
in whole or in part without their express written consent.

NOTES:

Figured dimensions only to be taken from this drawing.
All dimensions to be checked on site.
Architects to be informed immediately of any discrepancies
before work proceeds.

REV	DATE	DETAILS
P01	22/07/22	Issued for Planning
P01	14/03/22	Issued for Pre-Planning

JOR Joseph O'Reilly
Consulting Civil & Structural Engineers
Unit 1, St. Theresa's Place, Flowerhill, Navan, Co. Meath
Tel: 046 9077032 Fax: 046 9077932
Email: mail@jor.ie Web: www.jor.ie

CLIENT
Scanlon Limited

TITLE
Typical Drainage Details Storm

PROJECT	Daneswell Place LRD Planning Application
SCALE	As Shown @ A1
DATE CREATED	JUNE 2022
DRAWN BY:	DOB
CHECKED BY:	MS
JOB No.	J17-117
DRAWING No.	018
REV	P01